

CEILING SOUND INSULATION

STANDARD P


from typical technical solutions album of Technosonus and NIISF
version TS/01.2020/RD/S/R4 type S-4.1

components:

ThermoZvukolzol sound insulation mat
V-100 vibrodamping tape
Sonokrep vibrohangers
PPN 27/28 AcousticGyps reinforced profile
PP 60/27 AcousticGyps reinforced profile
One-level connector (crab) for PP 60/27 AcousticGyps
AcousticGyps extender for PP 60/27
Sealing tape
Sonoplat tape
StopZvuk BP/Eco sound-absorbing board
AcousticGyps GKLZ 12.5 mm · Sonoplat panels
TS-DG 6x60 Dowel pin
TS-XTN 3.9x23, TS-XTN 3.9x38, TS-MM 4.2-13 self-tapping screws
Sonetik vibroacoustic sealant
Bautger glue

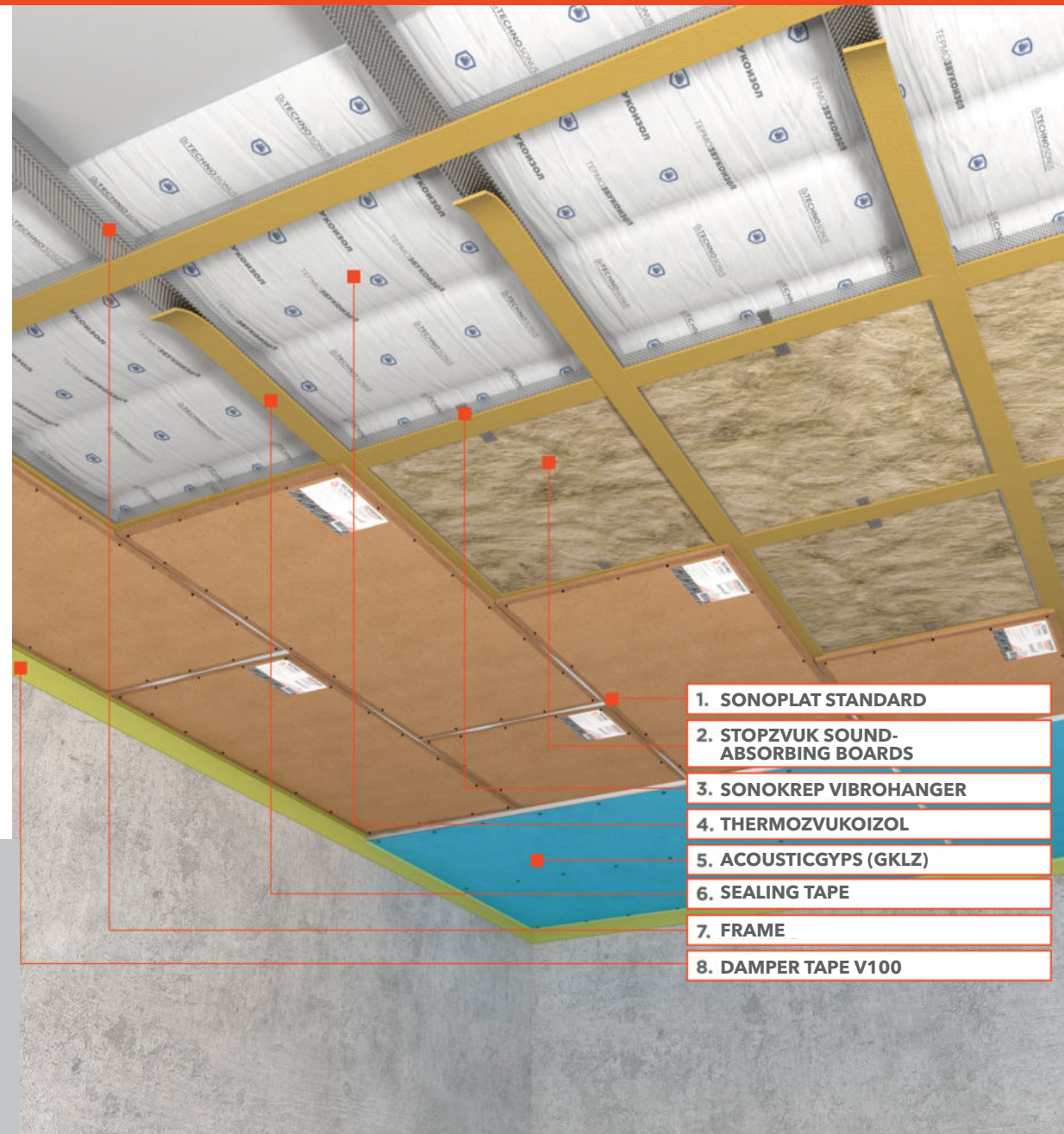
Second level sound insulation system. The most common and popular system. For use in multi-apartment residential buildings of higher comfort level, hotels, hospitals, sanatoriums, etc.

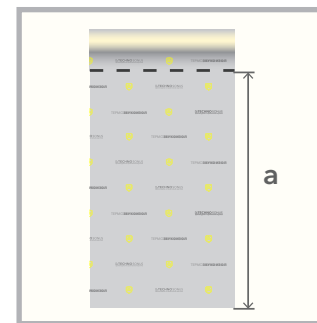
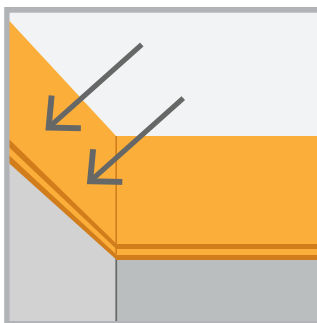
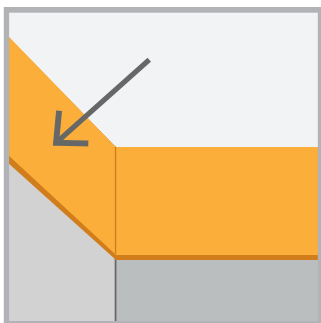
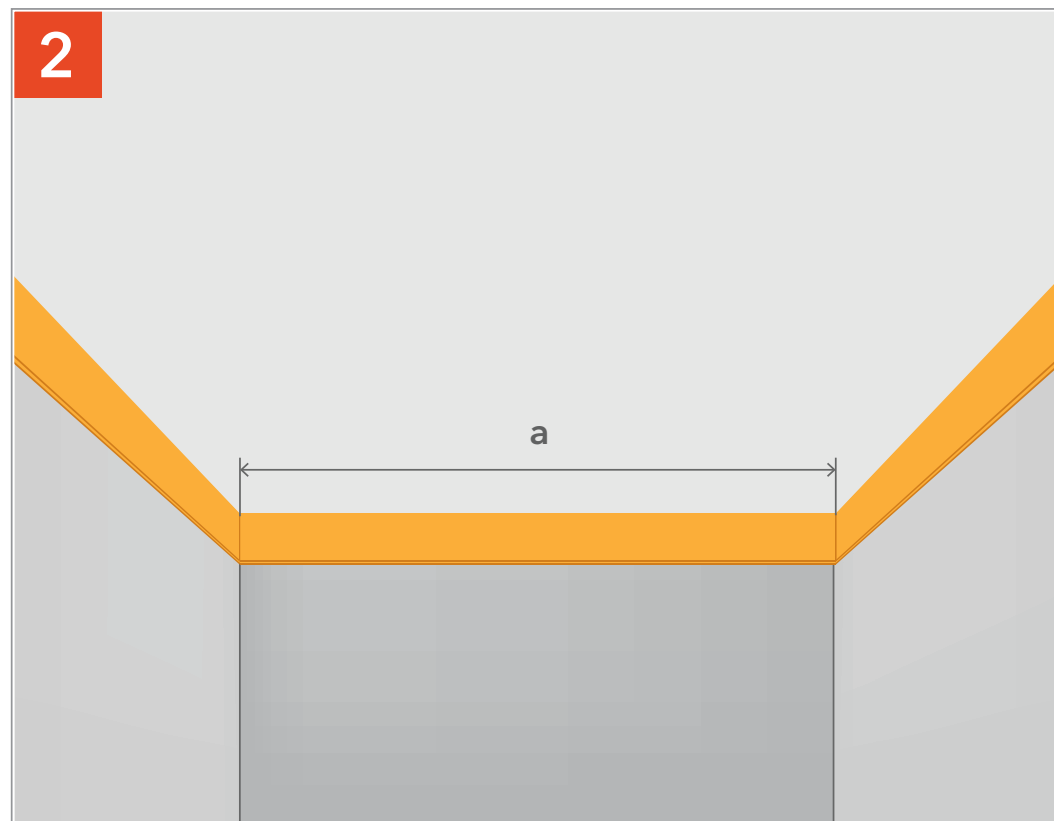
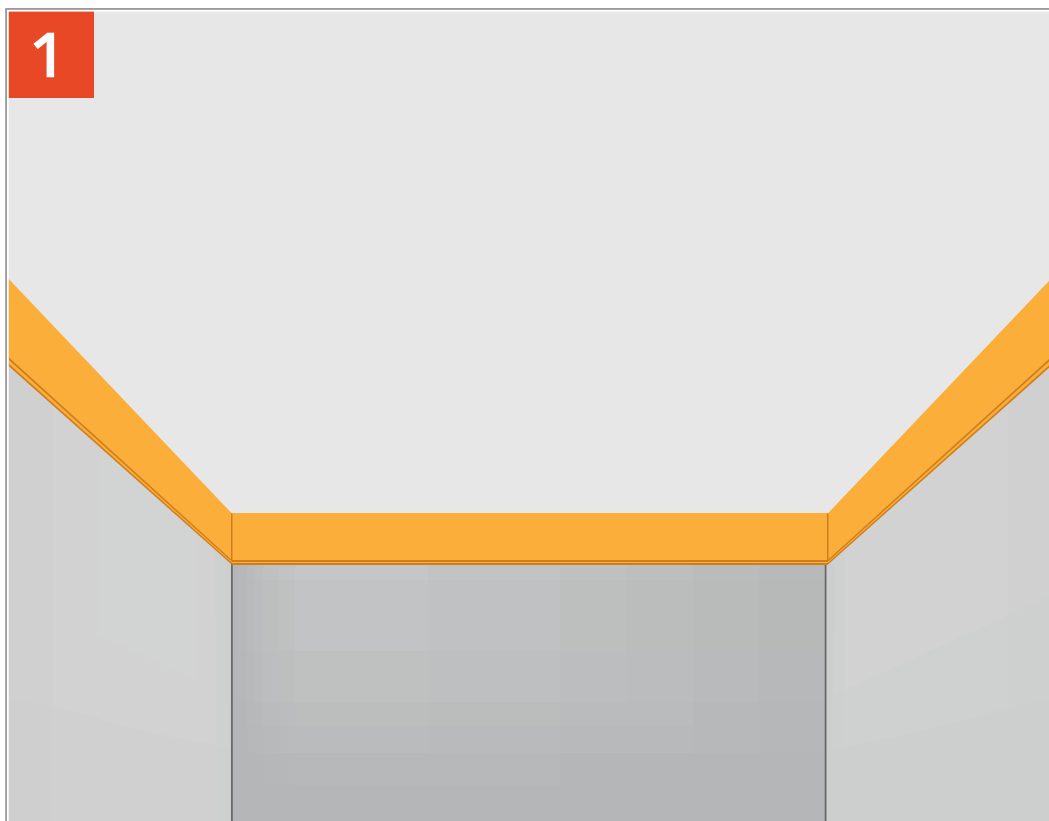
 SYSTEM
THICKNESS
90 mm

 AIRBORNE
NOISE REDUCTION
Rw = 69 dB

 SOUND INSULATION
ADDITION
▲ Rw = 18 dB

 IMPACT NOISE
REDUCTION
▲ Lnw = 15 dB



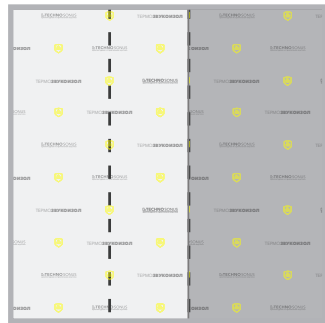
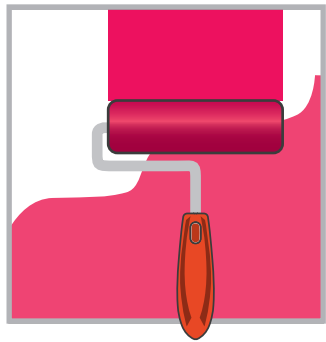
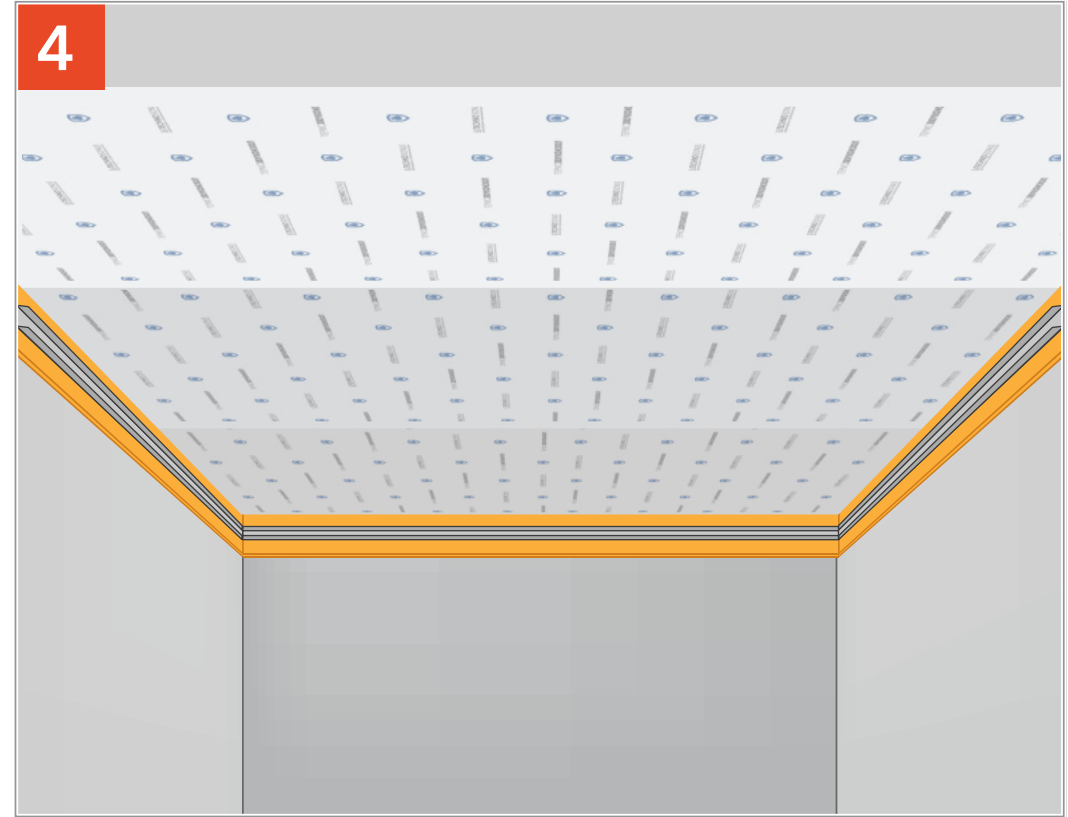
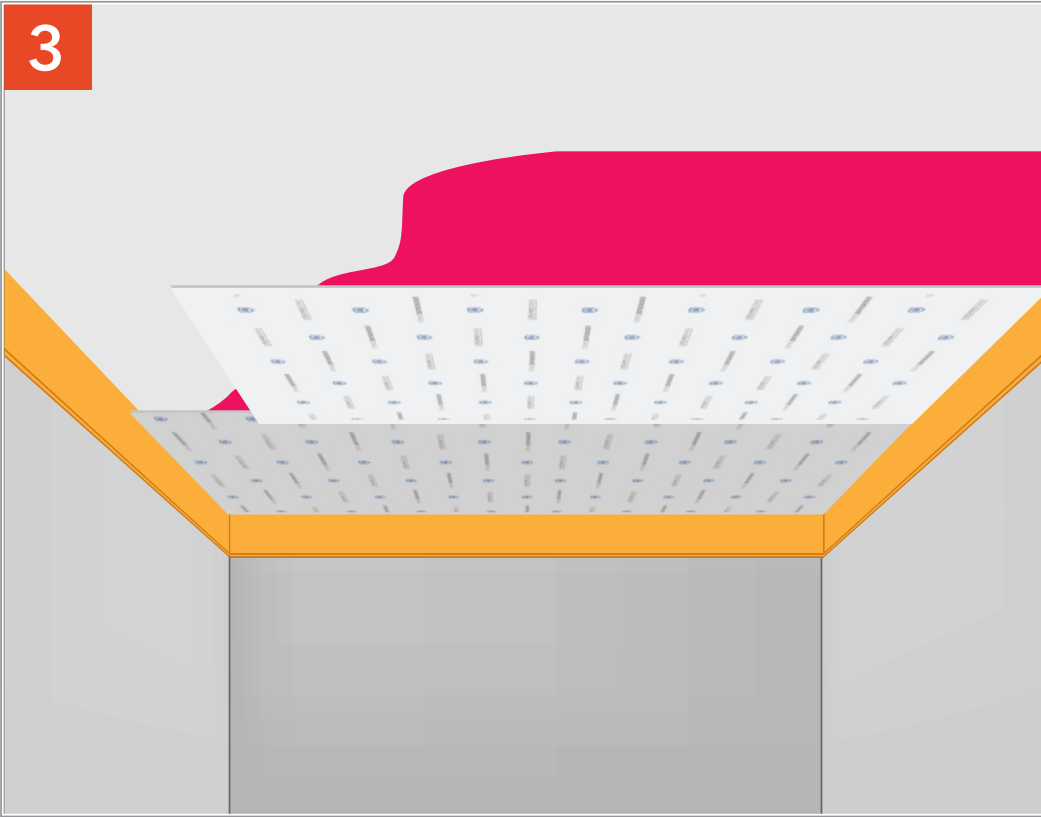


Glue perimeter of the wall with StopZvuk V100 tape using Sonetik sealant or Bautger glue.

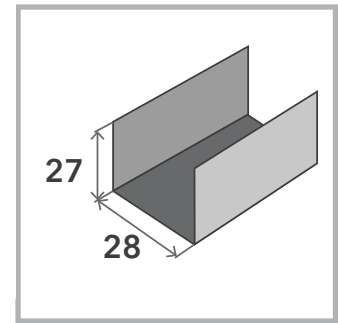
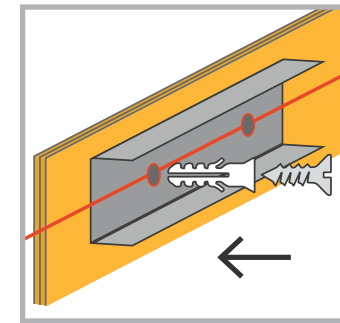
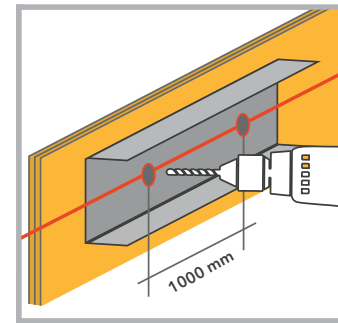
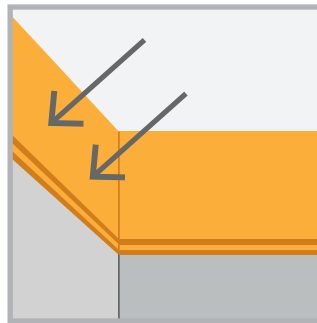
Measure out ThermoZvukolzol.

STANDARD P CEILING SOUND INSULATION

STANDARD P CEILING SOUND INSULATION

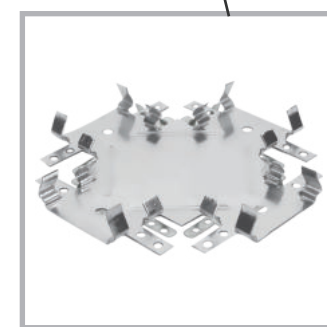
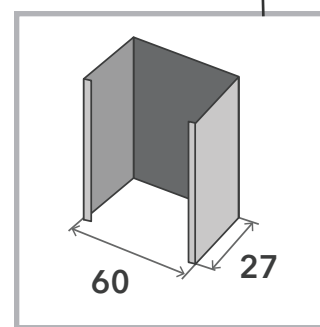
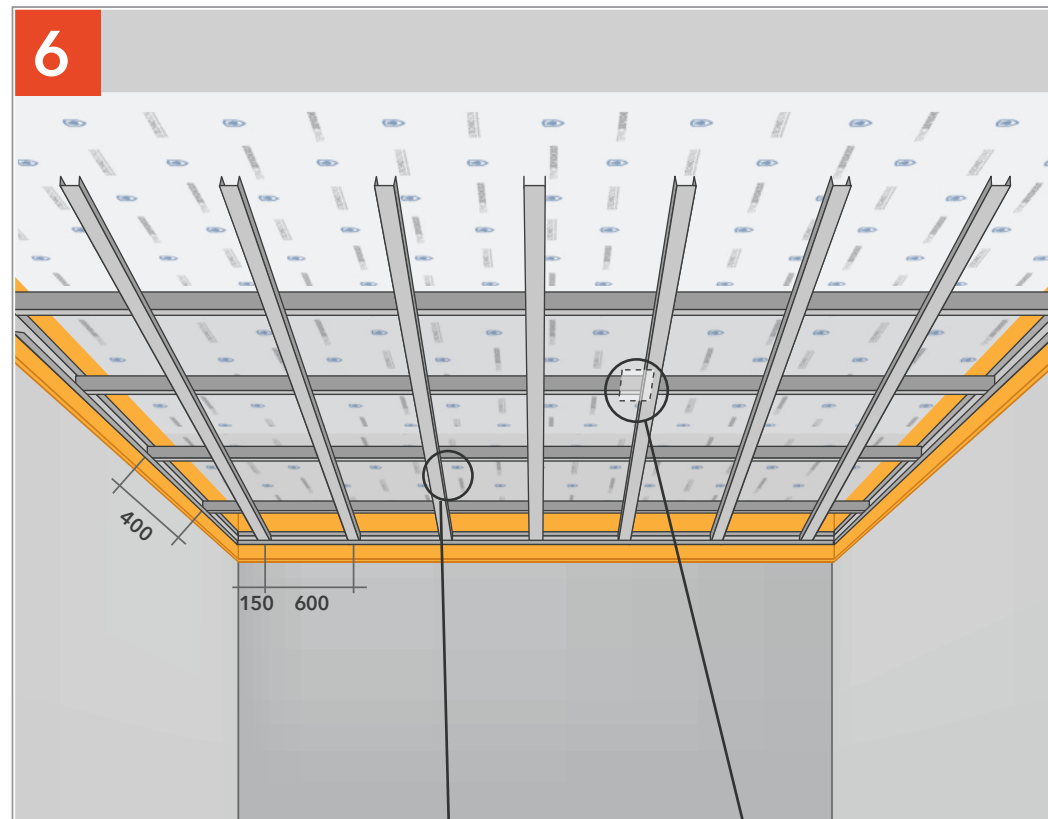
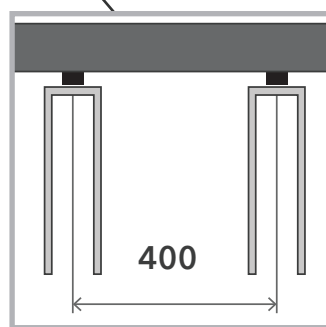
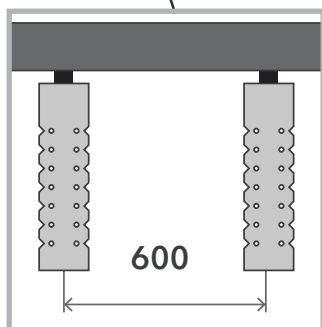
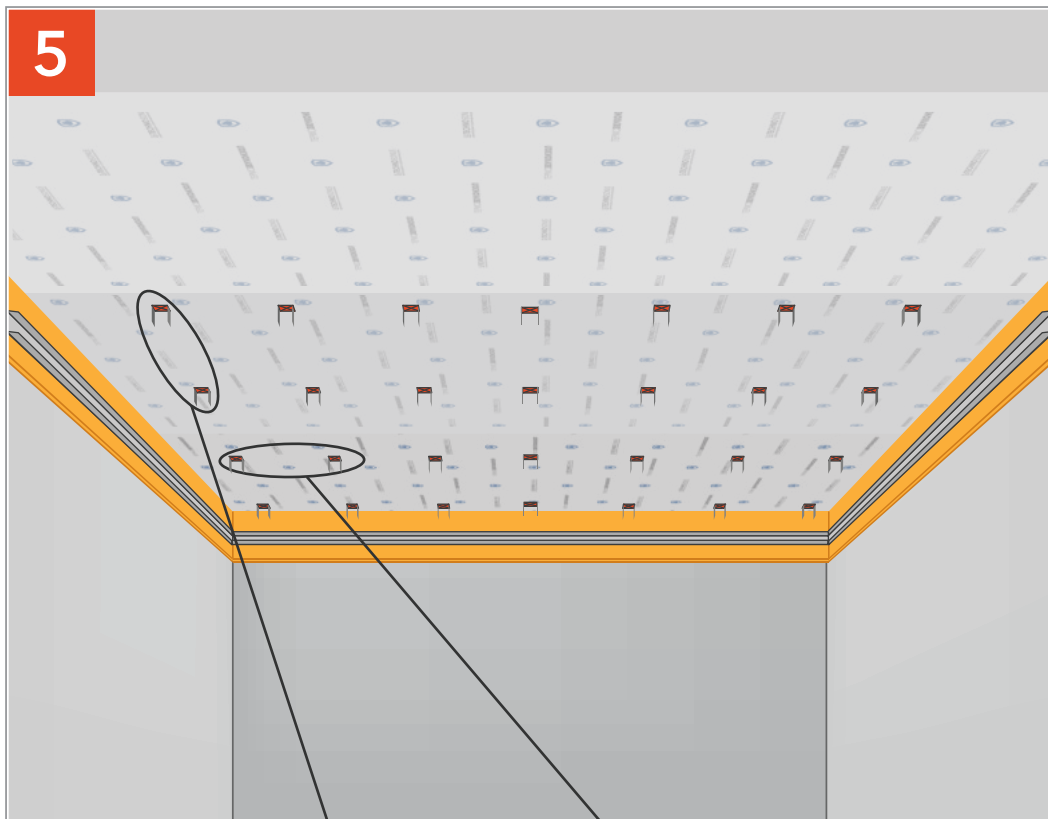


5-10 mm



Glue ThermoZvukolzol using Bautger glue.

Temporarily fix PN profile through StopZvuk V100 tape with 1000 mm pitch.

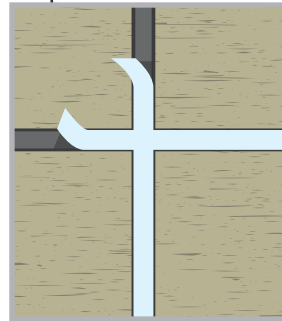
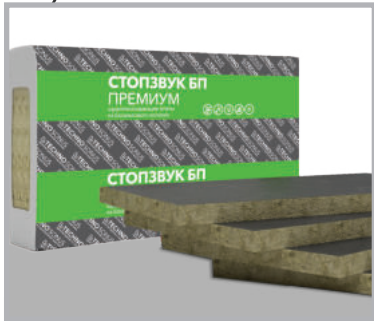
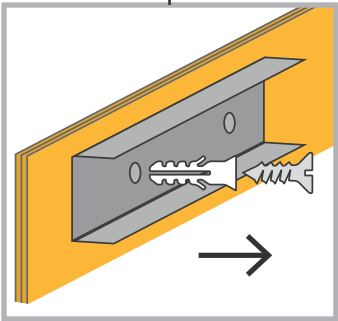
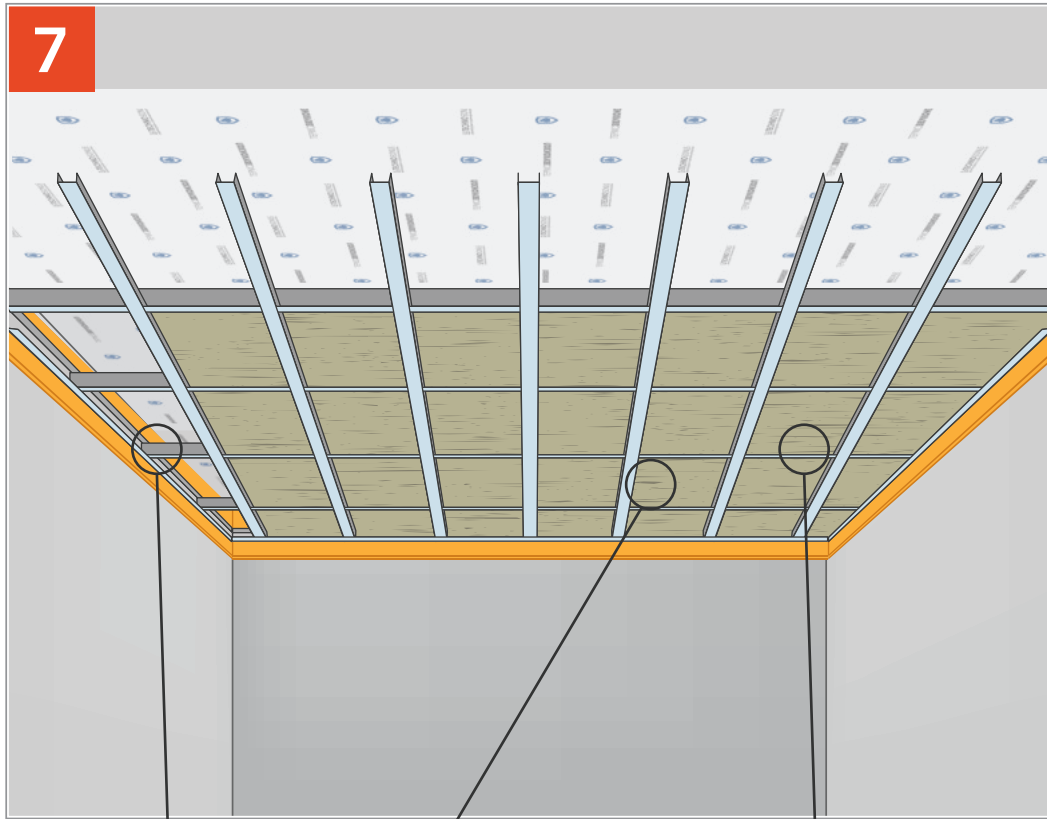


Mount Sonokrep vibrohangers with step 400 across and 600 along the room. The vibrohanger closest to the wall should be at 150 mm from it.

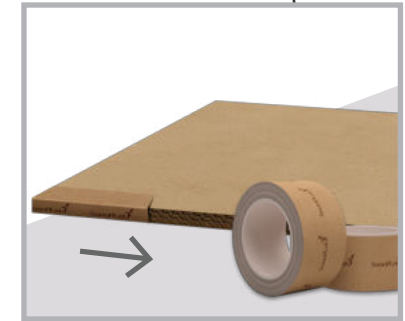
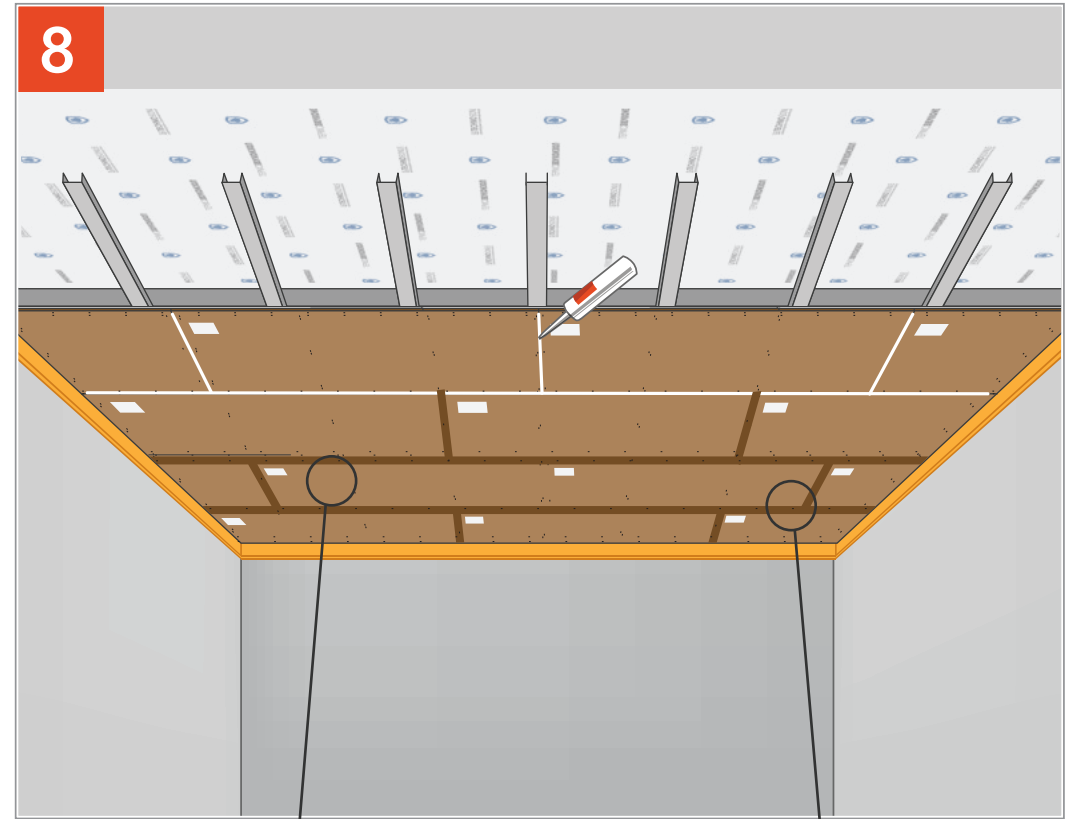
Fasten PP profile to vibrohangers and connect them together using a single-level connector (crab).

STANDARD P CEILING SOUND INSULATION

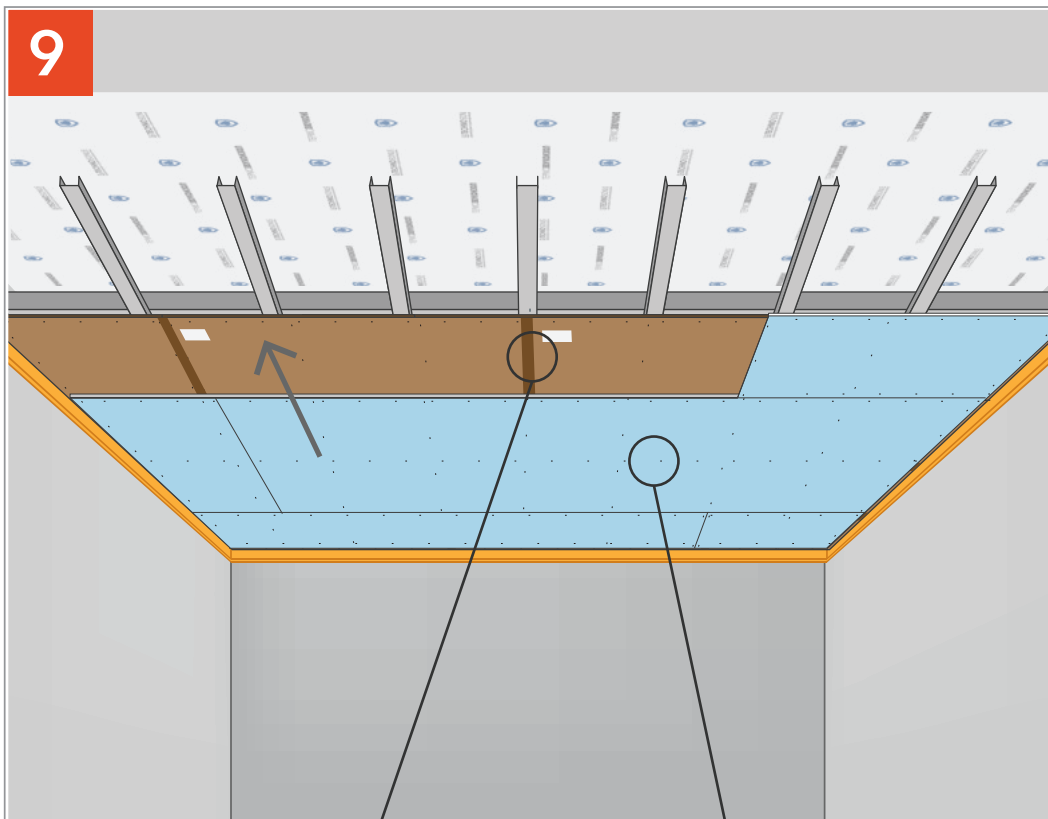
STANDARD P CEILING SOUND INSULATION



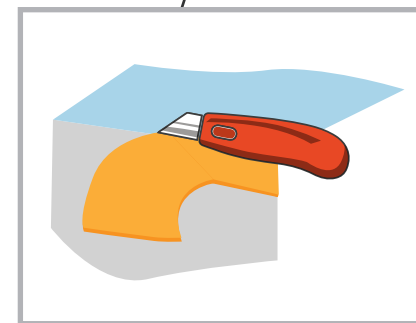
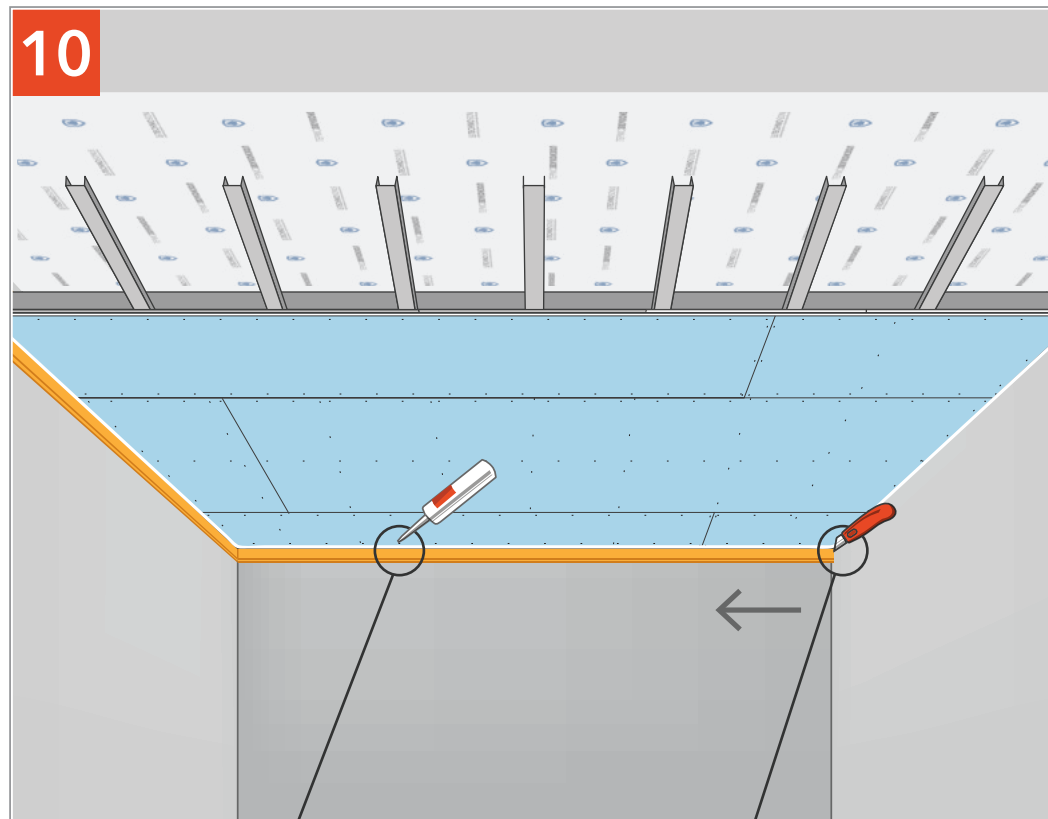
Glue damper tape on the surface of the profile, fill the space with StopZvuk BP boards. Remove dowel pins from PN profile.



Mount Sonoplat panels on the frame, coat the joints with Sonetik vibroacoustic sealant.



Cover Sonoplat panel joints with adhesive tape.
Mount a layer of AcousticGypl sheets.



Remove excess of StopZvuk V100 tape and seal the perimeter with Sonetik sealant.

STANDARD P CEILING SOUND INSULATION